

INSTALLATION AND OPERATION MANUAL

125 V.A.C. DIRECT VENT GAS WATER HEATER

MODELS



SW10V • SW12V • SW16V

125 V.A.C. Direct Spark Ignition Gas Heating Only

SW10VE • SW12VE • SW16VE

125 V.A.C. Direct Spark Ignition Gas Heating
and 125 V.A.C. Heating Element



FOR INSTALLATION IN RECREATIONAL
VEHICLES AND MOBILE HOUSING

FOR YOUR SAFETY

WHAT TO DO IF YOU SMELL GAS

- DO NOT TRY TO LIGHT ANY APPLIANCE.
- DO NOT TOUCH ANY ELECTRIC SWITCH: DO NOT USE ANY PHONE IN YOUR VEHICLE.
- IMMEDIATELY CALL YOUR GAS SUPPLIER FROM A NEIGHBOR'S PHONE. FOLLOW THE GAS SUPPLIER'S INSTRUCTIONS.
- IF YOU CANNOT REACH YOUR GAS SUPPLIER, CALL THE FIRE DEPARTMENT.

FREEZE WARNING

DRAIN HEATER IF SUBJECT TO FREEZING TEMPERATURES.

WARNING: IMPROPER INSTALLATION, ADJUSTMENT, ALTERATION, SERVICE OR MAINTENANCE CAN CAUSE INJURY OR PROPERTY DAMAGE. REFER TO THIS MANUAL. FOR ASSISTANCE OR ADDITIONAL INFORMATION, CONSULT A QUALIFIED INSTALLER, SERVICE AGENCY OR THE GAS SUPPLIER.

FOR YOUR SAFETY

DO NOT STORE OR USE GASOLINE OR OTHER COMBUSTIBLE MATERIALS OR LIQUIDS NEAR OR ADJACENT TO THIS HEATER OR ANY OTHER APPLIANCE. THIS APPLIANCE SHALL NOT BE INSTALLED IN ANY LOCATION WHERE FLAMMABLE LIQUIDS OR VAPORS ARE LIKELY TO BE PRESENT.

AN ODORANT IS ADDED TO THE GAS USED BY THIS WATER HEATER.

INSTALLER: AFFIX THESE INSTRUCTIONS TO OR ADJACENT TO WATER HEATER.
OWNER: RETAIN THESE INSTRUCTIONS AND WARRANTY FOR FUTURE REFERENCE.

ALL TECHNICAL AND WARRANTY QUESTIONS SHOULD BE DIRECTED TO THE COMPANY LISTED ON THE WARRANTY OR RATING PLATE WHICH CAME WITH YOUR WATER HEATER.



AIRXCEL, INC. - SUBURBAN DIVISION
676 Broadway Street
Dayton, Tennessee 37321
423-775-2131
www.RVComfort.com

SAFETY WARNINGS

WARNING! It is imperative that the water heater tank be filled with water before operating the water heater. Operation of the water heater without water in the tank may result in damage to the tank and/or controls. This type of damage is not covered by the limited warranty.

WARNING! Hydrogen gas may result if you have not used this heater for two weeks or more. **HYDROGEN GAS IS EXTREMELY FLAMMABLE.** To reduce the risk of injury under these conditions, open the hot water faucet for several minutes at the kitchen sink before you use any electrical appliance connected to the hot water system. If hydrogen is present, you probably will hear an unusual sound such as air escaping through the pipe as the water begins to flow.

Hydrogen gas may be present even after water has been drained from the tank. Open faucet at sink and allow system to vent for several minutes (5-10 minutes).

Do not smoke or have any open flames near the open faucet. Do not attempt to light pilot or main burner. On Direct Spark Ignition models, be sure the switch is "OFF".

Should overheating occur, or the gas supply fail to shut off, shut off the manual gas valve to the appliance before shutting off the electrical supply.

Do not use this appliance if any part has been submerged under water. Immediately call a qualified service technician to inspect the appliance and to replace any part of the control system and any gas control that has been submerged under water.

Do not alter the operation of your water heater nor change the design/construction of your water heater. Accessories are being marketed for RV products which we do not recommend. For your safety, only factory authorized parts are to be used on your water heater.

Periodically inspect the vent for obstructions or presence of soot. Soot is formed whenever combustion is incomplete. This is your visual warning that the water heater is operating in an unsafe manner. If soot is present, immediately shut the water heater down and contact your dealer or a qualified service person.

When considering add-on rooms, porch or patio, attention must be given to the venting of your water heater. For your safety, do not terminate the vent on your water heater inside add-on rooms, screen porch or onto patios. Doing so will result in products of combustion being vented into the rooms or occupied areas.

Never operate the heater if you smell gas. Do not assume that the smell of gas in your RV is normal. Any time you detect the odor of gas, it is to be considered life threatening and corrected immediately. Extinguish any open flames including cigarettes and evacuate all persons from the vehicle. Shut off gas supply at LP gas bottle. (See Safety notice on front cover of this manual.)

NOTE: Always open both the cold and hot water faucets when filling vehicle water tank to allow air pockets to be forced out of the water heater. When water flows from the heater faucets, close both faucets.

WARNING! Do not store or use combustible materials or liquids near or adjacent to this heater. The appliance shall not be installed in any location where flammable liquids or vapors are likely to be present.

Be sure the power is "OFF" to the water heater ignition system during any type of refueling and while vehicle is in motion or being towed.

The thermostat on your water heater is not adjustable. It is a temperature sensing limit designed to maintain a water temperature of 130°F (54°C). Water temperatures over 125°F (49°C) can cause severe burns instantly or death from scalds; therefore, be careful when using hot water. Children, disabled and elderly are at highest risk of being scalded. Always feel water before bathing or showering.

INSTALLATION REQUIREMENTS

WARNING! Installation of this appliance must be made in accordance with the written instructions provided in this manual. No agent, representative or employee of Suburban or other person has the authority to change, modify or waive any provision of the instructions contained in this manual.

NOTE: Do not install the water heater with the door facing toward the forward end of the coach. See Figures 12, 13 and 14.

CAUTION: If possible, do not install the water heater to where the vent can be covered or obstructed when any door on the trailer is opened. If this is not possible, then the travel of the door must be restricted in order to provide a 6" minimum clearance between the water heater vent and any door whenever the door is opened.

CAUTION: Due to the differences in vinyl siding, this appliance should not be installed on vinyl siding without first consulting with the manufacturer of the siding or cutting the siding away from the area around the appliance vent.

CAUTION: In any installation in which the vent of this appliance can be covered due to the construction of the RV or some special feature of the RV such as slide out, pop-up etc., always insure that the appliance cannot be operated by setting the thermostat to the positive "OFF" position and shutting off all electrical and gas supply to the appliance.

CAUTION: Do not install this appliance to where the vent terminates below a slide-out. This appliance is not to be installed under any overhang. It must be free and clear of any type overhang.

This installation must conform with the requirements of the authority having jurisdiction or in the absence of such requirements with the latest edition of the National Fuel Gas Code ANSI Z223.1/NFPA 54; and the latest edition of the American National Standard for Recreational Vehicles NFPA 1192. In Canada the installation should conform with the following standards.

A. For installation in Recreational Vehicle

1. Gas - CSA standard CSA Z240.4.2-08 Installation Requirements for Propane Appliances and Equipment in Recreations Vehicles.
2. Electrical - CSA standard C22.2 No. 148/Z240.6.2-08/C22.2 No. 148-08 Electrical Requirements for Recreational Vehicles.
3. Plumbing - CSA standard CSA Z240.3.2 Plumbing Requirements for Recreational Vehicles.

B. For installation in Mobile Housing

1. Gas - CSA standard CSA Z240.4.1 Installation Requirements for Gas Burning Appliances and Equipment in Mobile Homes.
2. Electrical - CSA standard CSA C22.1 Canadian Electrical Code Part 1.
3. Plumbing - CSA standard CSA Z240.3.1 Plumbing Requirements for Mobile Homes.

For installation in mobile housing, refer to Figure 11 for Direct Vent Terminal Clearances.

The appliance shall be disconnected from the gas supply piping system during any pressure testing of the system.

The appliance and its gas connections shall be leak tested before placing the appliance in operation.

All air for combustion must be supplied from outside the structure. Air for combustion must not be supplied from occupied spaces.

INSTALLATION INSTRUCTIONS

Minimum clearance from combustible construction on sides, top, floor and rear = 0 inches. Provide room for access to rear of heater for servicing.

Provide an opening flush with floor in outer wall of coach as shown. Wall of coach should be framed as shown in Figure 1. Maintain inside dimensions listed below. Do not install on carpet unless the carpet is covered by a metal or wood shield covering the entire area underneath the water heater. If you prefer, you may cut away the carpet from this area.

INSTALLATION USING FLUSH MOUNT FRAME & DOOR

(See Figure 2)

- A. Position heater into framed opening as illustrated in Figure 2. Slide unit into opening until the front of the control housing is flush with the exterior coach skin.
 - B. Secure the control housing to the coach wall (framed opening) at the top and sides of control housing compartment using screws or other suitable fasteners. Recess the screws or fasteners back far enough from the front edge of control housing (approximately 1 1/2") in order to clear the flange on door frame. The door frame, when installed, must not overlap onto screw or other fastener head. If due to the wall thickness, it is not possible to secure the water heater without covering the fastener head with the door frame, it is important to not over tighten the fastener and distort the control housing. Over tightening of the fastener may cause water heater leaks between the control housing and the door frame.
- NOTE:** Caulk around screw or fastener heads to assure water tight seal.
- C. Install chocks, one on each side of water heater, as illustrated in Figure 1A.
 - D. On mesa or yoder type sidewalls, flatten the wall area around the opening.
 - E. Caulk around framed opening (trailer skin) as illustrated in Figure 2.
 - F. Caulk around door frame using 2 beads of silicone caulking (or suitable caulking) - one on flange to seal to control housing and one around back side of frame to seal to coach skin. (See detail A in Figure 2).
 - G. Insert door frame into control housing and secure with three (4) No. 8-15 x 3 1/2" screws provided.

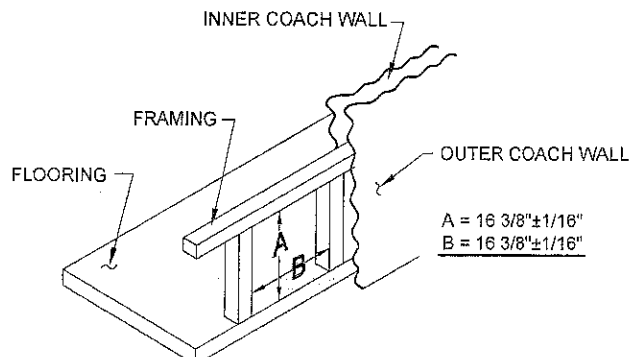


Figure 1

- H. To install door, place the two holes in the bottom of the door over the door pins on the frame. Close the door so that the latch protrudes through the slot in the door. Turn latch 90 degrees to fasten door.
- I. The module board is secured to the water heater. During installation of the water heater, provisions must be made for gaining access to the module board for diagnostic checks and servicing.

MAKING ELECTRICAL CONNECTIONS 125 VOLTS A.C.

- A. The electrical connections must be made in accordance with local codes and regulations. In the absence of local codes and regulations, refer to the latest edition of the National Electrical Code NFPA 70. In Canada, the electrical installation should conform with CSA standard CAN/CSA Z240.6.2-08/C22.2 No. 148-08 Electrical requirements for Recreational Vehicles and CSA C22.1 Canadian Electrical Code Part 1 when installing the unit in recreational vehicles and mobile homes respectively.
- B. Check rating plate and wiring diagram (Figure 3) before proceeding. Install a fused safety switch or circuit breaker of adequate capacity between heater and electrical power source. Attach the black and white wires from the fused switch or breaker to corresponding colored wires in heater junction box. A green wire from a well grounded source must be attached to the green nut in the junction box.

CAUTION: Before applying the 125 VAC power to the water heater junction box, be sure the switch for electric element and gas control system are in the "OFF" position.

WARNING! Before the switch for the electric element is turned to the "ON" position, the water heater tank must be filled with water. See "Safety Warnings".

WATER HEATER AS VIEWED FROM INSIDE R.V. CHAUFFEE-EAU VU DEPUIS L'INTÉRIEUR DU R.V.

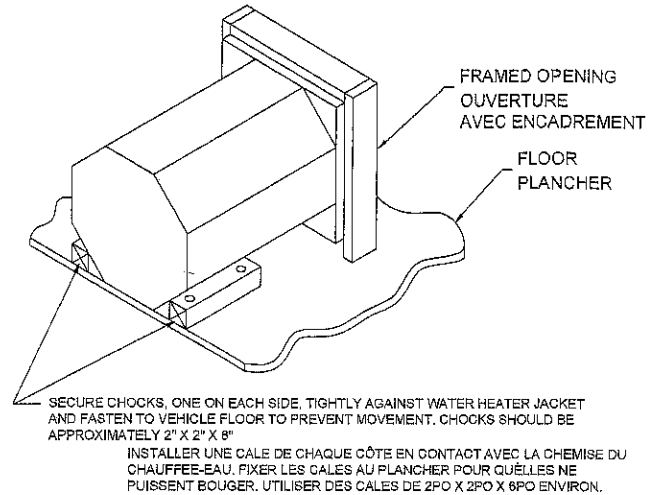


Figure 1A

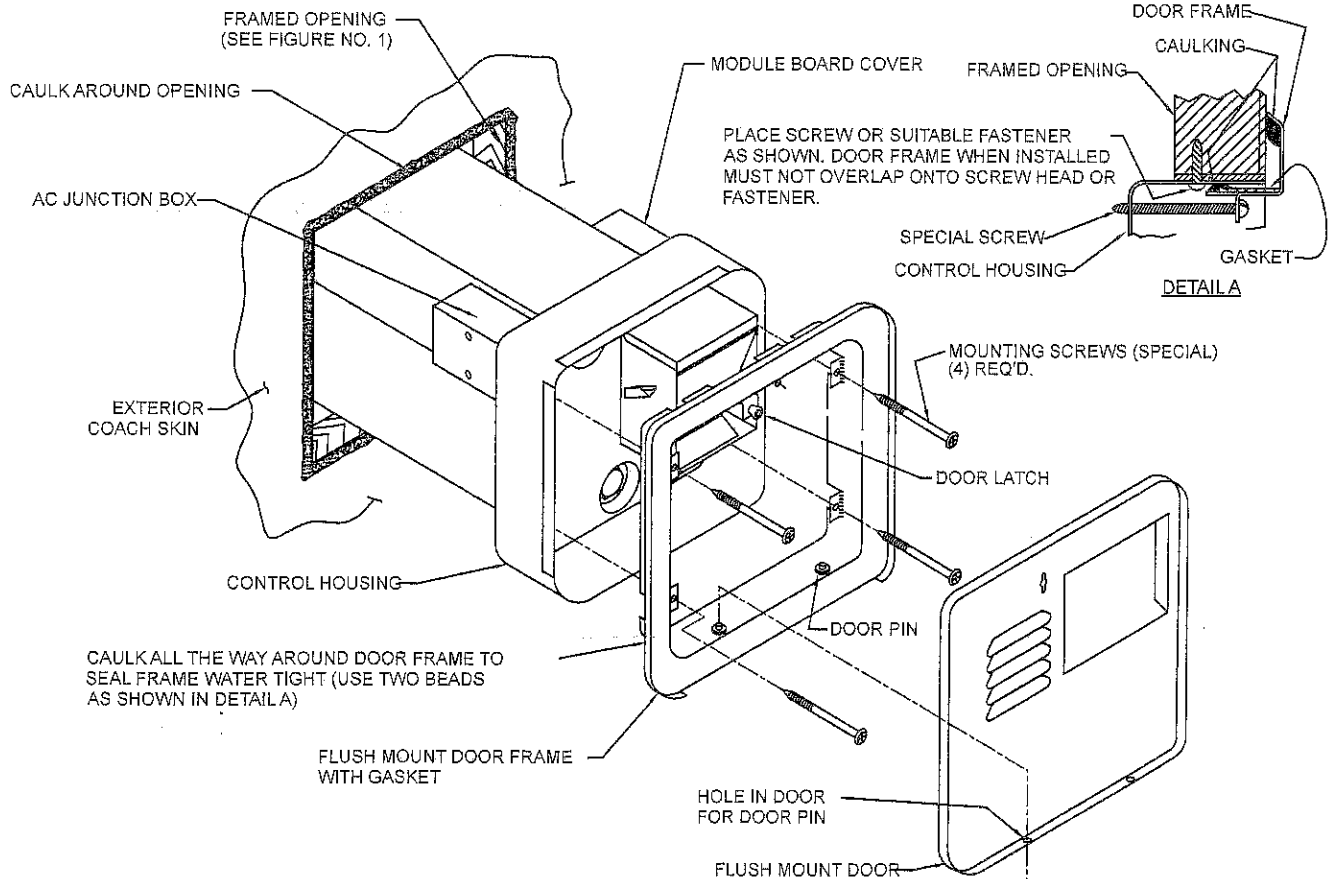


Figure 2

MAKING WATER CONNECTIONS

- A. Water connections are made at the rear of the water heater. Refer to Figure 4 for all models. Connect the hot and cold water lines to the 1/2" female pipe fitting provided on rear of tank. These fittings are marked "HOT" and "COLD".
NOTE: Inside each fitting is a plastic fill tube. Its purpose is to enhance water circulation. **DO NOT REMOVE PLASTIC FILL TUBE.**

IMPORTANT: Use a pipe thread compound suitable for potable water or pipe thread tape on all connections to assure they will not leak.

- B. For ease of removal, it is suggested that a pipe union be installed in each water line.
C. Fill tank with water. Open both hot and cold water faucets to expel air from tank. When tank is filled and water flows from faucets, close both faucets and check all connections for leaks.

CAUTION: If you use air pressure to check for leaks, the pressure must not exceed 30 PSI (in accordance with NFPA 1192).

NOTE: After leak testing, drain water from tank.

MAKING GAS CONNECTIONS

- A. Connect a 3/8" gas supply line to the 3/8 flare fitting at gas valve located in the control housing. When making the gas connection, hold the gas fitting on the valve with a wrench when tightening the flare nut. Failure to hold fitting secure could result in a gas leak due to fitting being damaged.

NOTE: It will be necessary to remove the grommet from the control housing, make the gas connection at the valve, then reinstall grommet.

WARNING! It is imperative that grommet and gas line through grommet be caulked air tight. If not tightly sealed, moisture and potential harmful flue products could vent through opening and into living area of trailer. (See Figure 5.)

- B. Turn on gas and check all fittings and connections for leaks, using a soap and water solution. Correct even the slightest leak immediately.

WARNING! Do not use an open flame to check for leaks.

SAFETY INFORMATION FOR YOUR SAFETY READ BEFORE LIGHTING

WARNING! If the user of this appliance fails to maintain it in the condition in which it was shipped from the factory or if the appliance is not used solely for its intended purpose or if appliance is not maintained in accordance with the instruction in this manual, then the risk of a fire and/or the production of carbon monoxide exists which can cause personal injury, property damage or loss of life.

OPERATING AND LIGHTING INSTRUCTIONS

WARNING! If you do not follow these instructions exactly, a fire or explosion may result causing property damage, personal injury or loss of life.

WARNING! Before operating water heater, be sure tank is filled with water. See "Safety Warnings".

- A. This appliance does not have a pilot. It is equipped with an ignition device which automatically lights the burner. Do not try to light the burner by hand.
B. **BEFORE LIGHTING** smell all around the appliance area for gas. Be sure to smell next to the floor because some gas is heavier than air and will settle on the floor.

WHAT TO DO IF YOU SMELL GAS

- Do not try to light any appliance.
 - Do not touch any electric switch.
 - Do not use any phone in your building.
 - Immediately call your gas supplier from a neighbor's phone. Follow the gas supplier's instructions.
 - If you cannot reach your gas supplier, call the fire department.
- C. This is an automatic gas valve, no adjustments are necessary. Do not attempt to repair the gas valve. This may result in a fire or explosion.
D. Do not use this appliance if any part has been under water. Immediately call a qualified service technician to inspect the appliance and to replace any part of the control system and any gas control which has been under water.
E. Before operating water heater, check the location of the vent to make sure it will not be blocked by the opening of any door on the trailer. If it can be blocked, do not operate the water heater with the door open.

OPERATING INSTRUCTIONS FOR UNITS WITH DIRECT SPARK IGNITION GAS VALVES

1. **STOP!** Read the safety information provided.
2. Turn off all electric power to the appliance.
3. Turn "OFF" gas supply.
4. Wait five minutes for gas to clear the area. If you smell gas then **STOP!** Follow instructions in item B of the safety information. If you don't smell gas, go to next step.
5. Turn "ON" gas supply.
6. Turn on electrical power to the appliance. Turn on gas valve switch. The switch is located behind water heater door in the upper left corner of the control housing. (See Figure 6)
7. Turn switch to "ON" position. If the burner does not light, the system will automatically attempt two more tries for ignition before lock-out. **NOTE:** Each ignition cycle will have a 15 second purge before spark cycle if system is a three try system.

8. If lockout occurs before main burner lights, turn switch to "OFF", wait five seconds and turn switch to "ON" position. This will restart the ignition cycle. The first start-up of the heater may require several ignition cycles before all air is purged from the gas lines.

If the burner will not come on, the following items should be checked before calling a service person.

1. Switch turned off.
 2. Gas supply to heater is empty or turned off.
 3. Reset button on ECO is tripped.
9. If burner fails to light and/or electric element does not operate, call a Suburban service center or a local RV service agency.

OPERATING INSTRUCTIONS FOR UNITS WITH ELECTRIC ELEMENT

Electric water heaters are designed to operate with a minimum amount of service problems; however, proper operation and care is essential.

By far the most common trouble with electric water heaters results from energizing the water heater before it is filled with water. Even brief operation of the electric element without water in the tank will burn-out the electric heating element.

To energize the electric heating element, turn the switch to "on". The switch is located behind the water heater door in the lower left corner of the control housing. (See Figure 6) The water temperature will be regulated by the thermostat.

THERMOSTAT AND MANUAL RESET

MODELS: SW10V, SW12V, and SW16V

The model water heaters listed above are equipped with a high temperature limit as a cut-off device. Temperature above 180°F will cause manual reset button to trip shutting down main burner.

To activate burner, the water temperature must be below 110°F, push reset button to re-activate burner.

THERMOSTAT AND MANUAL RESET

MODELS SW10VE, SW12VE, and SW16VE

The model water heaters listed above are equipped with high temperature limits as cut-off devices. Temperature above 180°F will cause manual reset button to trip shutting down the electric element and/or main burner.

To activate element and/or burner the water temperature must be below 110°F, push reset button to re-activate.

HIGH ALTITUDE DERATING

Suburban water heaters are certified by nationally recognized testing laboratories for operation without modifications at altitudes up to 4,500 feet. Operation above this elevation may require derating by 4 percent for every 1,000 feet above sea level. For example, at 8,000 feet, the water heater should be derated approximately 32 percent.

If the unit is not properly derated, lack of sufficient oxygen for combustion may produce improper burner operation. Pilot outage caused by burner lift-off or sooting from a yellow burner may occur indicating the possibility of carbon monoxide. You may also notice a lack of efficiency in heating the water because of incomplete combustion of the burner at these higher altitudes.

Consult with the local gas company, your dealer, an RV service agency or Suburban Manufacturing Company for proper derating of the unit. Change-out of the orifice (derating) should be done by the dealer or a qualified service agency.

NOTE: It is important that once the unit has returned to lower elevation (below 4,500 feet), this high altitude derating and pilot adjustments (if equipped) be reversed for proper operation of the unit.

TO TURN OFF WATER HEATER

1. Turn switch to "OFF" position.
2. Turn off electrical power to the appliance.
3. Turn off gas supply.
4. If vehicle is to be stored or heater is going to be turned off while subject to freezing temperature, drain water heater. (See "Draining and Storage Instructions.")

MAINTENANCE

WARNING! If the user of this appliance fails to maintain it in the condition in which it was shipped from the factory or if the appliance is not used solely for its intended purpose or if appliance is not maintained in accordance with the instructions in this manual, then the risk of a fire and/or the production of carbon monoxide exists which can cause personal injury, property damage or loss of life.

WARNING! For your safety, all repairs should be performed by your dealer or a qualified service person.

- A. **Main Burner:** Do not allow the burner to burn with a yellow flame, because sooting will occur. (See Safety Warnings). If the burner flame is yellow and has an erratic pattern, shut unit down and contact a qualified service agency. Do not continue operating unit with improper burner flame. (See Figure 9 for correct and incorrect burner flame appearance.)
- B. Periodically inspect unit for soot. If soot is present anywhere on water heater, immediately shut unit down and contact your dealer or a qualified service person. Soot is a sign of incomplete combustion and must be corrected before operating water heater. Areas to check would include:

1. Check for an obstruction in burner or the flue box.
2. Check the screen in the door to see that no foreign material has accumulated to prevent flow of combustion and ventilating air.
3. Check to be sure there is no flame present at burner orifice or burner whenever main gas valve is closed. This can be checked by turning the OFF/ON switch to the "OFF" position.
- C. Frequent checks should be made of the grommet on the gas inlet to assure tight seal. (See "Making Gas Connections").
- D. Periodically check wiring and wire connection to be sure wiring is not damaged/frayed and that all terminals and connections are tight and in compliance with codes (See "Making Wire Connections").

DRAINING AND STORAGE INSTRUCTIONS

If RV is to be stored during winter months, the water heater must be drained to prevent damage from freezing.

1. Turn off electrical power to water heater either at the switch from the electrical element or a breaker.
2. Shut off gas supply to water heater.
3. Turn off pressure pump on water system.
4. Open both hot and cold water faucets.
5. Remove anode rod from tank.
6. Follow RV manufacturer's instructions for draining entire water system.

NOTE: Be certain to refill water heater with water and remove all air from tank and lines before re-lighting or before turning on electrical power.

WINTERIZING

If your water heater plumbing system is equipped with a bypass kit, use it to close off the water heater, drain the water heater completely and leave the water heater closed off (out of the system) in the bypass position *particularly* if you are introducing antifreeze into the plumbing system. Antifreeze can be very corrosive to the anode rod creating premature failure and heavy sediment in the tank. If the plumbing system is not equipped with a bypass kit, and you intend to winterize by adding antifreeze to the system, remove the anode rod (storing it for the winter) and replace it with a 3/4" drain plug.

ANODE PROTECTION

The tank in this water heater is protected by a magnesium or aluminum anode to prolong the life of the tank by absorbing the corrosive action of hot water. Under normal use, the anode rod will deteriorate and because of this, we recommend it be replaced yearly. **NOTE:** Water with high levels of iron and/or sulfate will increase the rate of deterioration; therefore, more frequent replacement may be required. If anode rod is mostly eaten away, replace it with a new one. (See Figure 10)

To prevent a water leak when replacing the anode rod, a pipe thread sealant approved for potable water (such as Teflon Tape) must be applied to the threads of the anode rod. Proper application of a thread sealant will not interfere with the anode's tank protection.

Operating the water heater without proper anode protection will decrease tank life and will void your warranty on the tank. **NOTE:** Tank is drained by removing anode rod (See "Drain and Storage" instructions).

To extend anode life, drain water from tank whenever RV is not being used. Avoid any extended time of non use with water in tank.

Also, refer to section on winterizing.

WARNING! Do not replace the anode rod with any non-Suburban accessory part, such as an "add-on" electric heating element. Items such as these are not approved to be installed in Suburban products. They could create an unsafe condition and will also void all warranties.

ODOR FROM HOT WATER SYSTEM

Odor from the hot water system is not a service problem and many water supplies contain sufficient amounts of sulphur to produce an odor. The odor is similar to rotten eggs and is often referred to as "sulphur water". It is not harmful - only unpleasant to smell. Sulphur water can be caused by a chemical action or by bacteria. The solution to eliminate is chlorination of the water system. Add about six (6) ounces of chlorinated common household liquid bleach to each 10 gallons in the water tank. Then run the chlorinated water throughout the system, opening each faucet one at a time until you smell the chlorine. Let the RV sit for a few days and the chlorine should take care of the problem. Then you will need to take care of the chlorine. Remove the chlorine by flushing the system with fresh water. This may take several attempts. You may consider adding a filtering system that removes chlorine and prevents sulphur water. If the sulphur or rotten egg smell continues, flush the system once again as described above and replace anode rod as necessary.

PRESSURE RELIEF VALVE

The temperature and pressure relief valve is designed to open if the temperature of the water within the heater reaches 210°F, or if the water pressure in the heater reaches 150 pounds. Recreational vehicle water systems are closed systems and during the water heating cycle the pressure build-up in the water system will reach 150 pounds. When this pressure is reached, the pressure relief valve will open and water will drip from the valve. This dripping will continue until the pressure is reduced to below 150 pounds, and the valve closes. This condition is normal and does not indicate a defective relief valve.

WARNING! Do not place a valve between the relief valve and the tank. Do not plug the relief valve under any circumstances.

WATER WEEPING OR DRIPPING FROM PRESSURE RELIEF VALVE

You may experience water weeping or dripping from your water heater's Pressure and Temperature (P & T) Relief Valve when your water heater is operating. Water weeping or dripping from the P & T Valve does not always mean the P & T Valve is defective. As water is heated, it expands. The water system in a recreational vehicle is a closed system and does not allow for the expansion of heated water. When the pressure of the water system exceeds the relieving point of the P & T Valve, the valve will relieve the excess pressure.

Suburban recommends that a check valve not be installed directly at the inlet to the water heater tank. This will increase weeping of the pressure relief valve.

WARNING! Do not remove or plug the relief valve.

One way to reduce the frequency of this occurrence is to maintain an air pocket at the top of the water heater tank. This air pocket will form in the tank by design. However, it will be reduced over time by the everyday use of your water heater.

To replenish this air pocket:

1. Turn off water heater.
2. Turn off cold water supply line.
3. Open a faucet in the RV.
4. Pull out on the handle of the Pressure Relief (P & T) Valve and allow water to flow from the valve until it stops.
5. Release handle on P & T Valve - it should snap closed.
6. Close faucet and turn on cold water supply; as the tank fills, the air pocket will develop.

Repeat this procedure as often as needed to reduce the frequency of the weeping of the P & T Valve. If the weeping persists after following this procedure, you may elect to install an expansion or accumulator tank in the cold water line between the tank and check valve to relieve the pressure caused by thermal expansion. Contact your local dealer for assistance.

REMOVING WATER HEATER

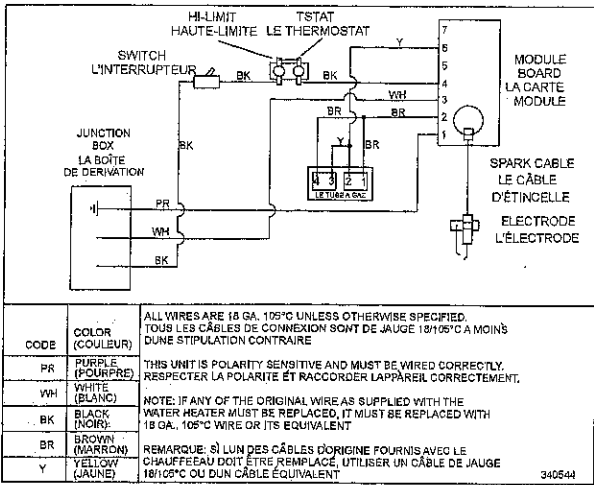
1. Shut off gas supply and disconnect gas supply line from water heater.
2. On all Electric Models, disconnect 120 V.A.C. supply at junction box mounted on heater.
3. On all Direct Spark Ignition Models, disconnect 12 V.D.C. power supply at junction box on heater.
4. On Models SW4D, SW6D and SW6DE disconnect all wires at module board.
5. Shut off water supply. Drain water from tank following instructions under "Draining and Storage".
6. Disconnect hot and cold water lines from water heater.
7. Remove screws or nails securing control housing to framed opening.
8. Slide heater out. To reinstall, follow instructions in manual under "Installation instructions".

PARTS AND SERVICE

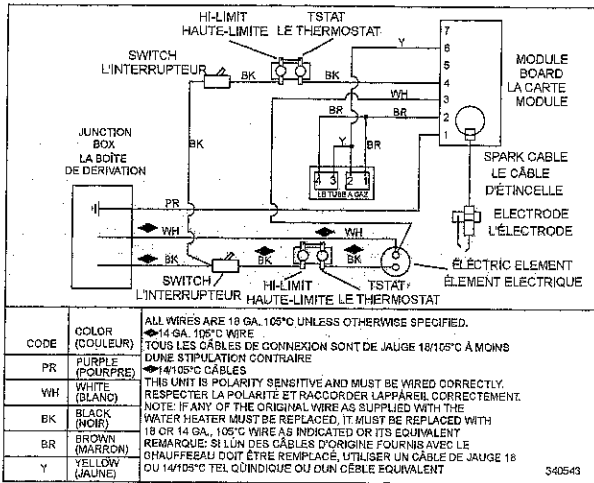
Contact a conveniently located recommended Suburban Service Center. Describe to them the nature of your problem, make an appointment, if necessary, and provide for delivery of your RV with the appliance installed.

To obtain information on locating a local service agency, contact:

AIRXCEL, Inc., Suburban Division
 Customer Service Department
 676 Broadway Street
 Dayton, TN 37321
 (423) 775-2131 Ext. 7101
www.Airxcel.com

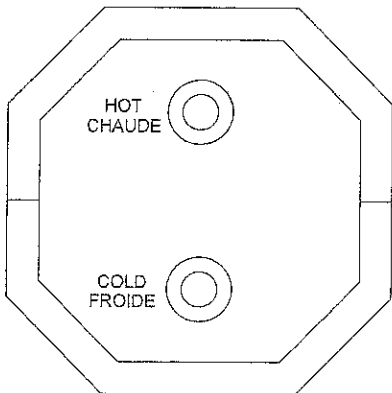


for model SW16V



for model SW16VE

Figure 3



ALL MODELS TOUS MODELES

Figure 4

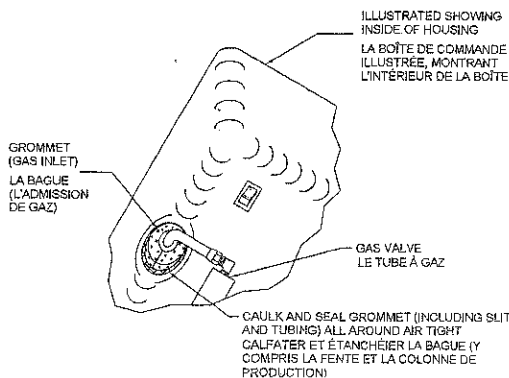


Figure 5

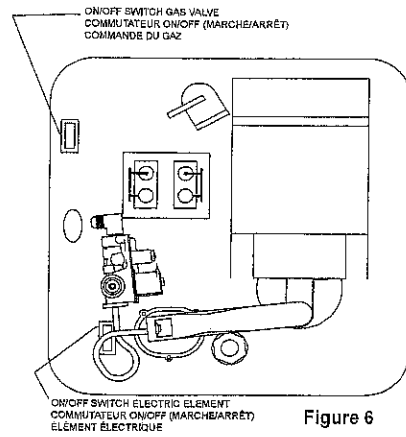


Figure 6

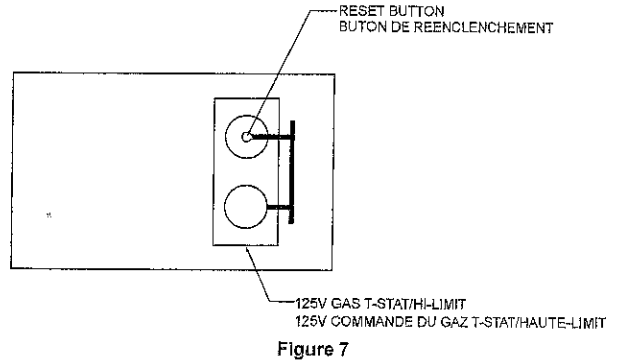


Figure 7

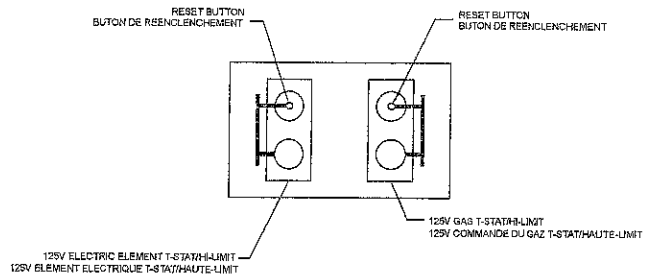


Figure 8

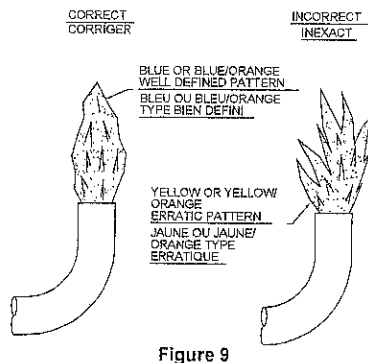


Figure 9

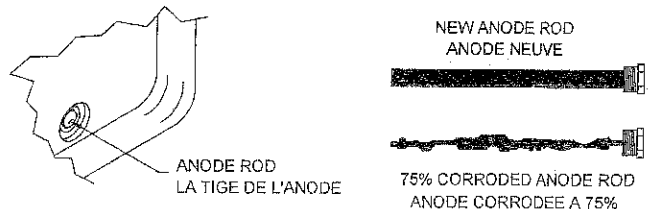
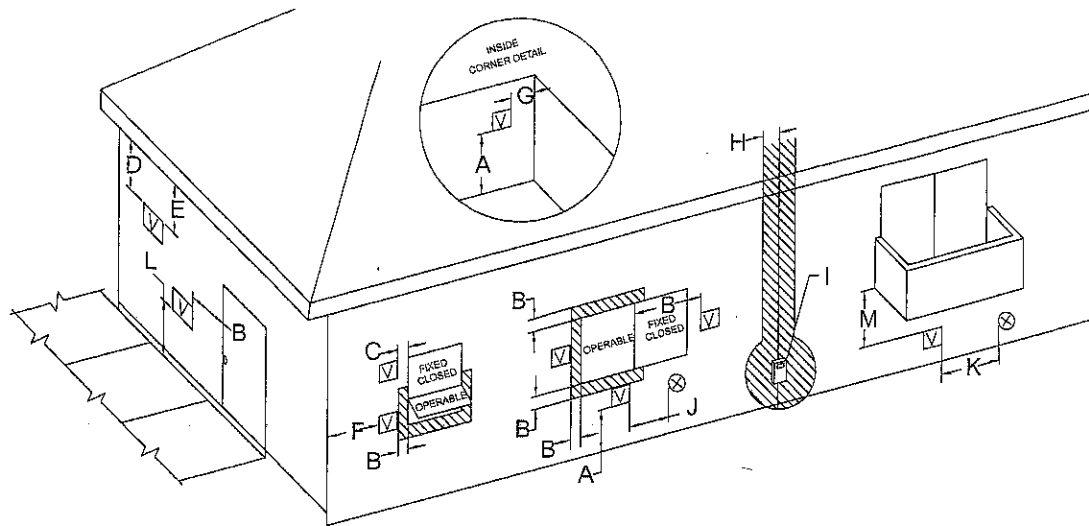


Figure 10



 VENT TERMINAL
  AIR SUPPLY INLET
  AREA WHERE TERMINAL IS NOT PERMITTED

	CANADIAN INSTALLATIONS	US INSTALLATIONS ¹		CANADIAN INSTALLATIONS	US INSTALLATIONS ¹		
A=	CLEARANCE ABOVE GRADE, VERANDA, PORCH, DECK, OR BALCONY	12 INCHES (30cm)	12 INCHES (30cm)	J=	CLEARANCE TO NONMECHANICAL AIR SUPPLY INLET TO BUILDING OR THE COMBUSTION AIR INLET TO ANY OTHER APPLIANCE	12 INCHES (30cm)	4 FEET (1.3m) BELOW OR TO SIDE OF OPENING, 1 FEET (300mm) ABOVE OPENING
B=	CLEARANCE TO WINDOW OR DOOR THAT MAY BE OPENED	12 INCHES (30cm)	9 INCHES (23cm)	K=	CLEARANCE TO A MECHANICAL AIR SUPPLY INLET	8 FEET (1.83m)	3 FEET (91cm) ABOVE IF WITHIN 10 FEET (3m) HORIZONTALLY
C=	CLEARANCE TO PERMANENTLY CLOSED WINDOW			L=	CLEARANCE ABOVE PAVED SIDEWALK OR PAVED DRIVEWAY LOCATED ON PUBLIC PROPERTY	7 FEET (2.13m) ²	
D=	VERTICAL CLEARANCE TO VENTILATED SOFFIT LOCATED ABOVE THE TERMINAL WITHIN A HORIZONTAL DISTANCE OF 2 FT (61cm) FROM THE CENTER LINE OF THE TERMINAL			M=	CLEARANCE UNDER VERANDA, PORCH, DECK, OR BALCONY	12 INCHES (30cm) ²	
E=	CLEARANCE TO UNVENTILATED SOFFIT						
F=	CLEARANCE TO OUTSIDE CORNER						
G=	CLEARANCE TO INSIDE CORNER						
H=	CLEARANCE TO EACH SIDE OF CENTER LINE EXTENDED ABOVE METER / REGULATOR ASSEMBLY	3 FEET (91cm) WITHIN A HEIGHT 15 FEET (4.57m) ABOVE THE METER / REGULATOR ASSEMBLY					
I=	CLEARANCE TO SERVICE REGULATOR VENT OUTLET	3 FEET (91cm)					

¹ IN ACCORDANCE WITH THE CURRENT CSA B149.1, NATURAL GAS AND PROPANE INSTALLATION CODE
² IN ACCORDANCE WITH THE CURRENT ANSI Z223.1/NFPA 54, NATIONAL FUEL GAS CODE
³ A VENT SHALL NOT TERMINATE DIRECTLY ABOVE A SIDEWALK OR PAVED DRIVEWAY THAT IS LOCATED BETWEEN TWO SINGLE FAMILY DWELLINGS AND SERVES BOTH DWELLINGS.
⁴ PERMITTED ONLY IF VERANDA, PORCH, DECK, OR BALCONY IS FULLY OPEN ON A MINIMUM OF TWO SIDES BENEATH THE FLOOR.
⁵ CLEARANCE IN ACCORDANCE WITH LOCAL INSTALLATION CODES AND THE REQUIREMENTS OF THE GAS SUPPLIER.

Figure 11

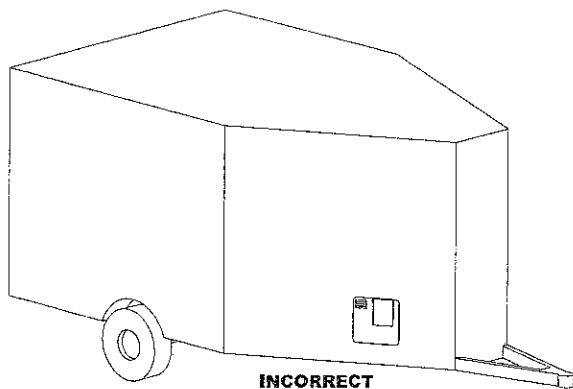


Figure 12

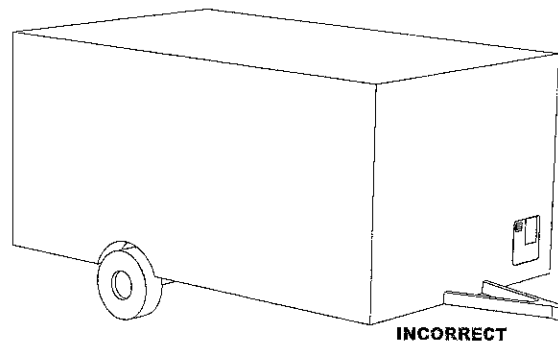


Figure 13

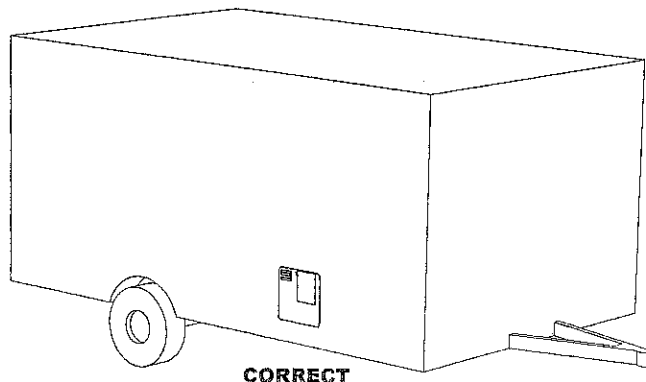


Figure 14

TWO YEAR LIMITED WARRANTY

SUBURBAN RECREATIONAL VEHICLE WATER HEATER

TWO YEAR LIMITED WARRANTY

This Suburban product is warranted to the original purchaser to be free from defects in material and workmanship under normal use and maintenance for a period of two years from date of purchase whether or not actual use begins on that date. It is the responsibility of the consumer/owner to establish the warranty period. Suburban does not use warranty registration cards for its standard warranty. You are required to furnish proof of purchase date through a Bill of Sale or other payment records.

Suburban will replace any parts that are found defective within the first two years and will pay a warranty service allowance directly to the recommended Suburban Service Center at rates mutually agreed upon between Suburban and its recommended service centers. Replacement parts will be shipped FOB the shipping point within the Continental United States, Alaska and Canada to the recommended service center performing such repairs. All freight, shipping and delivery costs shall be the responsibility of the owner. The exchanged part or unit will be warranted for only the unexpired portion of the original warranty. Before having warranty repairs made, confirm that the service agency is a recommended service center for Suburban. DO NOT PAY THE SERVICE AGENCY FOR WARRANTY REPAIRS; SUCH PAYMENTS WILL NOT BE REIMBURSED.

Suburban reserves the right to examine the alleged defect in the water heater or component parts, and it is the owner's obligation to return the water heater and/or component parts to Suburban or its representative. When returning a water heater, it must include all component parts and the serial number plate. Returned component parts must be individually tagged and identified with the water heater's model number, serial number and date of installation.

For warranty service, the owner/user should contact the nearest recommended Suburban Service Center, advising them of the model and serial numbers (located on the water heater) and the nature of the defect. Transportation of the RV to and from the Service Center and/or travel expenses of the Service Center to your location is the responsibility of the owner/user. A current listing of recommended service center may be obtained from Suburban's website: www.rvcomfort.com. If you cannot locate a recommended service center locally, the service agency chosen to perform warranty repairs must contact our Service Department at 423-775-2131 for authorization before making repairs. Unauthorized repairs made will not be paid by Suburban.

THREE YEAR LIMITED WARRANTY ON TANK

The inner tank is further warranted to be free from defects in material and workmanship during the third year after the date of original purchase. A replacement water heater will be provided under the same conditions as stated in the two year warranty EXCEPT no labor reimbursement will be provided.

LIMITATION OF WARRANTIES

ALL IMPLIED WARRANTIES (INCLUDING IMPLIED WARRANTIES OF MERCHANTABILITY) ARE HEREBY LIMITED IN DURATION TO THE PERIOD FOR WHICH EACH LIMITED WARRANTY IS GIVEN. SOME STATES DO NOT ALLOW LIMITATIONS ON HOW LONG AN IMPLIED WARRANTY LASTS SO THE ABOVE LIMITATIONS MAY NOT APPLY TO YOU. THE EXPRESSED WARRANTIES MADE IN THIS WARRANTY ARE EXCLUSIVE AND MAY NOT BE ALTERED, ENLARGED, OR CHANGED BY ANY DISTRIBUTOR, DEALER OR OTHER PERSON WHOMSOEVER.

SUBURBAN WILL NOT BE RESPONSIBLE FOR:

1. Normal maintenance as outlined in the installation, operating and service instructions owner's manual including cleaning of component parts and cleaning or replacement of the burner orifice. Any water damage arising, directly or indirectly, from any defect in the water heater or component parts or from its use.
2. Initial checkouts and subsequent checkouts which indicate the water heater is operating properly, or diagnosis without repair.
3. Damage or repairs required as a consequence of faulty or incorrect installation or application not in conformance with Suburban instructions.
4. Failure to start and/or operate due to loose or disconnected wires; water or dirt in controls, fuel lines and gas tanks; improper gas pressure; low voltage.
5. Cleaning or adjustment of components; electrode, burner tube, pilot and thermocouple.
6. Costs incurred in gaining access to the water heater.
7. Parts or accessories not supplied by Suburban.
8. Freight charges incurred from parts replacements.
9. Damage or repairs needed as a consequence of any misapplication, abuse, unreasonable use, unauthorized alteration, improper service, improper operation or failure to provide reasonable and necessary maintenance.
10. Suburban products whose serial number has been altered, defaced or removed.
11. Suburban products installed or warranty claims originating outside the Continental U.S.A., Alaska, Hawaii and Canada.
12. Damage as a result of floods, winds, lightning, accidents, corrosive atmosphere or other conditions beyond the control of Suburban.
13. ANY SPECIAL, INDIRECT OR CONSEQUENTIAL PROPERTY, ECONOMIC OR COMMERCIAL DAMAGE OF ANY NATURE WHATSOEVER

Some states do not allow the exclusion of incidental or consequential damages, so the above limitation may not apply to you.

NO REPRESENTATIVE, DEALER, RECOMMENDED SERVICE CENTERS OR OTHER PERSON IS AUTHORIZED TO ASSUME FOR SUBURBAN MANUFACTURING COMPANY ANY ADDITIONAL, DIFFERENT OR OTHER LIABILITY IN CONNECTION WITH THE SALE OF THIS SUBURBAN PRODUCT.

This warranty gives you specific legal rights, and you may also have other rights which vary from state to state.

IF YOU HAVE A PRODUCT PROBLEM

FIRST: If your RV has its original water heater and is still under the RV manufacturer's warranty, follow the steps suggested by your dealer or manufacturer of the RV.

SECOND: Contact a conveniently located recommended Suburban Service Center. Describe to them the nature of your problem, make an appointment, if necessary, and provide for delivery of your RV to the selected service center.

THIRD: For the location of the nearest Service Center, refer to the listing provided or contact:

AIRXCEL, INC. - SUBURBAN DIVISION
Customer Service Department
676 Broadway Street
Dayton, Tennessee 37321
(423) 775-2131, Ext. 7101
www.RVComfort.com

FOR FUTURE REFERENCE, YOU SHOULD RECORD THE FOLLOWING INFORMATION:

MODEL NUMBER: _____

SERIAL NUMBER: _____

STOCK NUMBER: _____

DATE OF PURCHASE: _____

